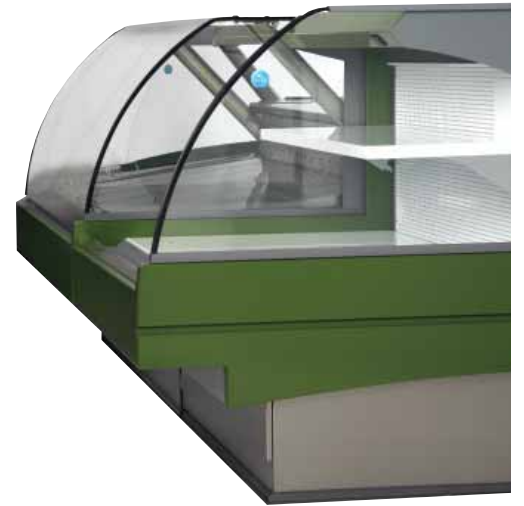


GUSTO

A PART OF DYNAMIC VISION COLLECTION

Gusto displays your products in the best possible way. In Gusto you get large display area together with functionality and ergonomic design. Now it can be multiplexed elegantly with Inspi.



THE SIGN OF COOL QUALITY

Flexible Gusto

Gusto's light design praises your products. It is especially ideal for displaying meat, fish, cold cuts, cheese and semi finished products.

GUSTO STANDARD FEATURES

- External surface of galvanised steel sheet
- High quality stove enamelling
- Stainless steel option also available
- Adjustable legs and plinths with washers
- uniform stainless steel evaporator cover
- Drain outlet pipe with a strainer
- Work surface of stainless steel
- insulation of HCFC free polyurethane foam

BASIC MODELS

- Display elements 125, 188, 250, 375 cm
- Internal angle 45° IA, external angle 45° EA
- Without condensing unit M
- Multiplexing model
- Service model
- Self-Service model
- Multirama MR
- Non-refrigerated under-storage CS
- Uncovered lower part P
- Gravity cooling GC
- Forced-air cooling FA
- Four different display case options

SERVICE DISPLAY

REFRIGERATION

- The condensing unit is located in the machinery compartment on the left hand end of the display as seen from the customer's side
- Refrigerant R404A
- Cabinets for remote installation come with an expansion valve
- In all models the evaporator is located under the rear shelf, on the back wall in the upper part of the cabinet
- Refrigeration is provided by gravity or forced-air cooling
- Refrigerated under-storage is (CS)

STANDARD EQUIPMENT

- Evaporator
- Upper lighting (service)
- Control panel (corners 1 pc / 45°, 90°)
- Fan-system for the front glass
- Plate end panel 35 mm

CABINETS WITH INTEGRAL CONDENSING UNIT

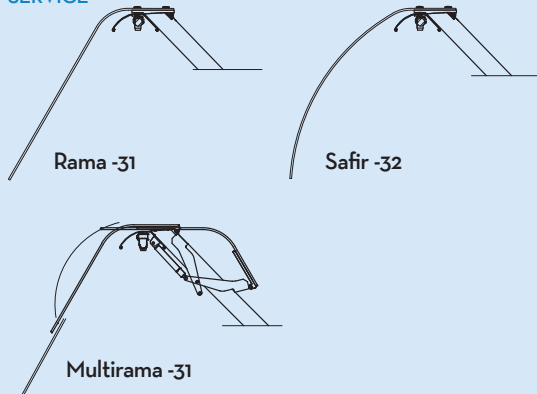
- Complete condensing unit with R404A refrigerant
- Electronic thermostat (including control and defrost cut-out thermostats, defrost timer and temperature display)
- Defrost water tray

CABINETS FOR REMOTE INSTALLATION

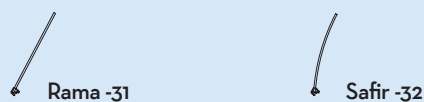
- Expansion valve for refrigerant R404A
- Defrost cut-out thermostat in the understorage of CS models
- Defrost water outlet pipe of the cabinet length
- Thermometers

CHOICE OF FRONT GLASS

SERVICE



SELF SERVICE

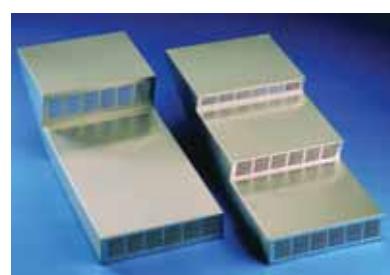
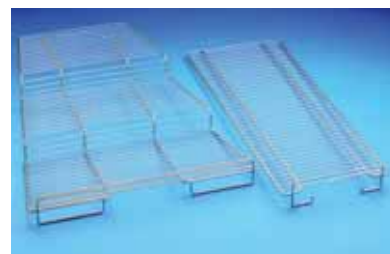


TECHNICAL DATA

Front height	580 mm
Depth	1160 mm
Height	880, 1180 mm
Length	1250, 1875, 2500, 3750 mm
Air Temperature	0...+2 °C

	1) E.C. (W) 18 HRS	MIN. POWER INPUT W	MAX. POWER INPUT W	2) REFR. AREA M ²
SO58-116-S-GC-WS-125-O	400	50	500	1,03
SO58-116-S-GC-WS-188-O	600	70	720	1,54
SO58-116-S-GC-WS-250-O	795	100	950	2,05
SO58-116-S-GC-WS-375-O	1195	140	1390	3,08
SO58-116-S-GC-CS-188-O	645	290	950	1,54
SO58-116-118-GC-CS-250-O	860	430	1290	2,05
SO58-116-118-GC-CS-375-O	1290	650	1900	3,08
SO58-116-118-FA-WS-125-O	400	50	500	1,03
SO58-116-118-FA-WS-188-O	600	90	740	1,54
SO58-116-118-FA-WS-250-O	795	140	990	2,05
SO58-116-118-FA-WS-375-O	1195	180	1430	3,08
SO58-116-118-FA-CS-188-O	645	310	970	1,54
SO58-116-118-FA-CS-250-O	860	470	1330	2,05
SO58-116-118-FA-CS-375-O	1290	670	1940	3,08
SO58-116-88-GC-WS-125-O	445	10	460	1,03
SO58-116-88-GC-WS-188-O	670	20	670	1,54
SO58-116-88-GC-WS-250-O	890	20	870	2,05
SO58-116-88-GC-WS-375-O	1335	30	1280	3,08
SO58-116-88-GC-CS-188-O	715	240	900	1,54
SO58-116-88-GC-CS-250-O	955	350	1210	2,05
SO58-116-88-GC-CS-375-O	1430	525	1800	3,08
SO58-116-88-FA-WS-125-O	445	20	500	1,03
SO58-116-88-FA-WS-188-O	670	40	690	1,54
SO58-116-88-FA-WS-250-O	890	60	910	2,05
SO58-116-88-FA-WS-375-O	1335	70	1300	3,08
SO58-116-88-FA-CS-188-O	715	260	910	1,54
SO58-116-88-FA-CS-250-O	955	390	1250	2,05
SO58-116-88-FA-CS-375-O	1430	560	1830	3,08
SO58-116-118-IA-O-WS	290	40	430	0,81
SO58-116-118-EA-O-WS	365	40	370	0,87
SO58-116-88-IA-O-WS	290	10	370	0,81
SO58-116-88-EA-O-WS	365	10	320	0,87

1) Extraction Capacity (W) 18 hrs operation time



OPTIONAL ACCESSORIES

- Expansion valves for other refrigerants
- Plate end panel 35 mm
- Stainless steel plinths
- Four material choices; painted plate, stainless steel, wood and painted MDF
- Intermediate shelf with lighting (service)
- Lower front lighting (not possible with wood decoration)
- Stainless steel display grid, 1-, 2- or 3-step
- Stainless steel display plate, 1-, 2- or 3-step
- Stainless steel frame for bowls, 2- or 3-step
- Stainless steel bowl 265x165x65
- Stainless steel bowl 325x265x65
- Stainless steel bowl 325x530x65
- Stainless steel ice flake grids
- Wooden grill
- Stainless steel stand for scales and slicers 450x400 and 550x500
- Chopping board 270x350 and 450x450
- Paper bag holder (for straight display elements), length 580 mm
- Stainless steel basket rail (not for wood decorated cabinets)
- Stainless steel bowl 150 mm for CS model
- Castors fitted to display elements of 125, 188 and 250 cm in length
- Sockets (for straight display elements)
- Defrost heater for the upper part of the cabinet

VISION COLLECTION

How to read the code:

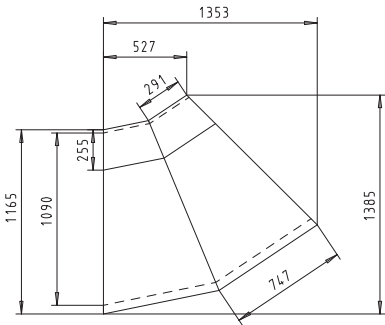
SO58-116-88-250 *

Front height | Depth | Height | Length

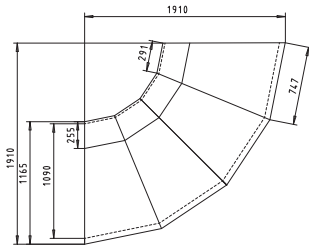
Measures are centimeters.

- * IA Internal angle
- EA External angle
- GC Gravity cooling
- WS Warm storage
- CS Cold storage
- FA Fan assisted

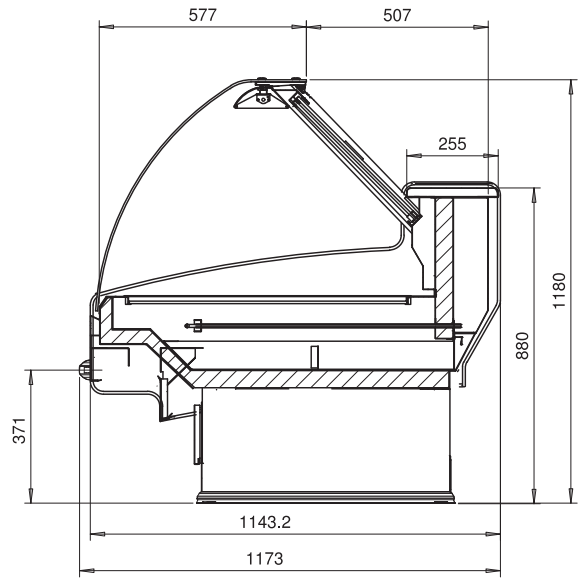
EA-45



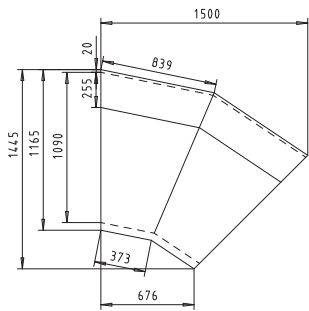
EA-90



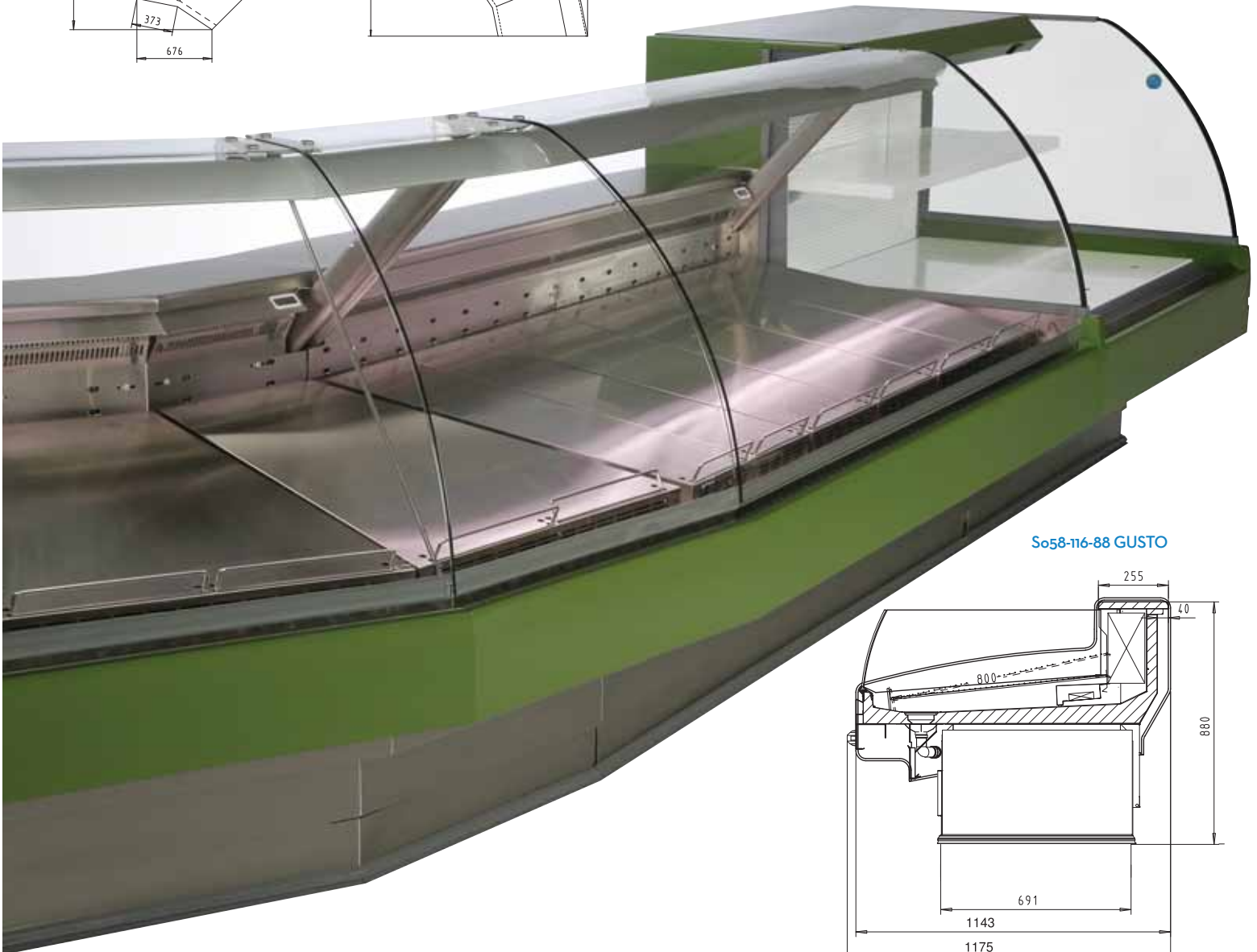
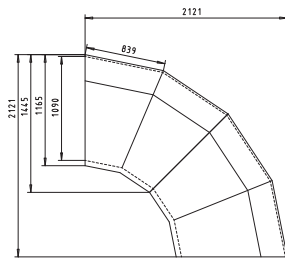
SO58-116-118 GUSTO



IA-45



IA-90



So58-116-88 GUSTO

