

# SPIRIT MD

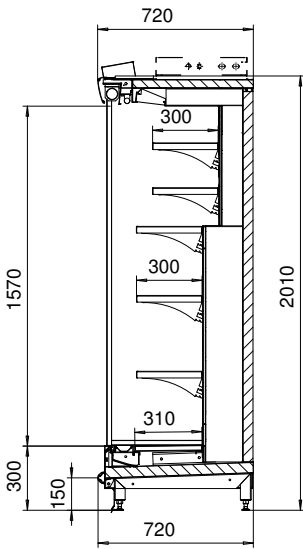
SLIM & SUPERSLIM - LITTLE GIANTS.



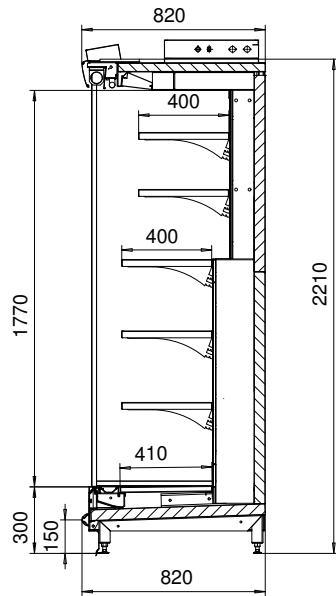
THE SIGN OF COOL QUALITY

*Caring for the future*

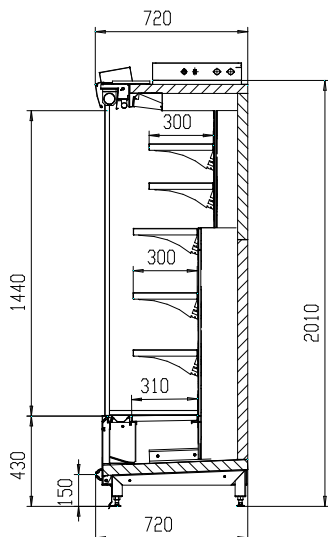
# SPIRIT



MD30-72-201 SPIRIT Superslim



MD30-82-221 SPIRIT Slim



MD43-72-201 SPIRIT Slim

- Large display area for demanding products
- Stylish and dynamic form of canopy
- Wider air channels for improved air circulation
- Optimised suction grid
- Easy to install and maintain
- Optional glass doors for energy saving



## STANDARD FEATURES

- fan evaporator and expansion valve for R404A refrigerant
- low energy fans
- defrosting rod
- defrost water connections for each unit, external diameter 40 mm
- thermometer
- overhead light fitting
- electricity switch box on the top of the cabinet
- full-length drainage kit
- cover plate Arc
- shelf console 0°, 10°, 20°, three different position
- RDM controller

## SPIRIT MD30 TECHNICAL DATA

Front height 300 mm  
 Cabinet heights 2010 and 2210 mm  
 Air temperature 0...+2 °C or  
 +2... +4 °C  
 Thickness of ends 50 mm

	Min. power input. W	i) Max. power input W	Length without end panels	Depth	i) Refr. area m <sup>2</sup>
MD30-72-201-125	416	596	1250	720	2.3
MD30-72-201-188	830	1130	1875	720	3.4
MD30-72-201-250	1082	1442	2500	720	4.5
MD30-72-201-375	1618	2158	3750	720	6.8
MD30-72-221-125	416	596	1250	720	2.6
MD30-72-221-188	830	1130	1875	720	4.0
MD30-72-221-250	1082	1442	2500	720	5.3
MD30-72-221-375	1618	2158	3750	720	7.9
MD30-82-201-125	416	596	1250	820	3.0
MD30-82-201-188	830	1130	1875	820	4.5
MD30-82-201-250	1082	1442	2500	820	6.0
MD30-82-201-375	1618	2158	3750	820	9.0
MD30-82-221-125	416	632	1250	817	3.5
MD30-82-221-188	830	1190	1875	817	5.3
MD30-82-221-250	1082	1514	2500	817	7.0
MD30-82-221-375	1618	2266	3750	817	10.5
MD43-72-201-188	738	978	1875	717	3.4
MD43-72-201-250	950	1238	2500	717	4.0

1) 2010 mm with 4 shelves and 2210 mm with 5 shelves.



## OPTIONAL EQUIPMENT

- expansion valves for other refrigerants
- glass or mirrored end panel
- partition end panel
- bumper trim for end panel
- shelf with consoles 300 and 400 mm
- shelf lights
- holders, dividers etc.
- night curtains motorised or manual
- automatic control system
- extension kit
- external lighting equipment
- optional cover plate models Art Deco, Tree, Bead and Crystal or own design
- ticket strip holder
- corner cover
- glass doors

### VISION COLLECTION

How to read the code:

**MD30-72-201-250**  
 Front height Depth Height Length

Measures are centimeters.